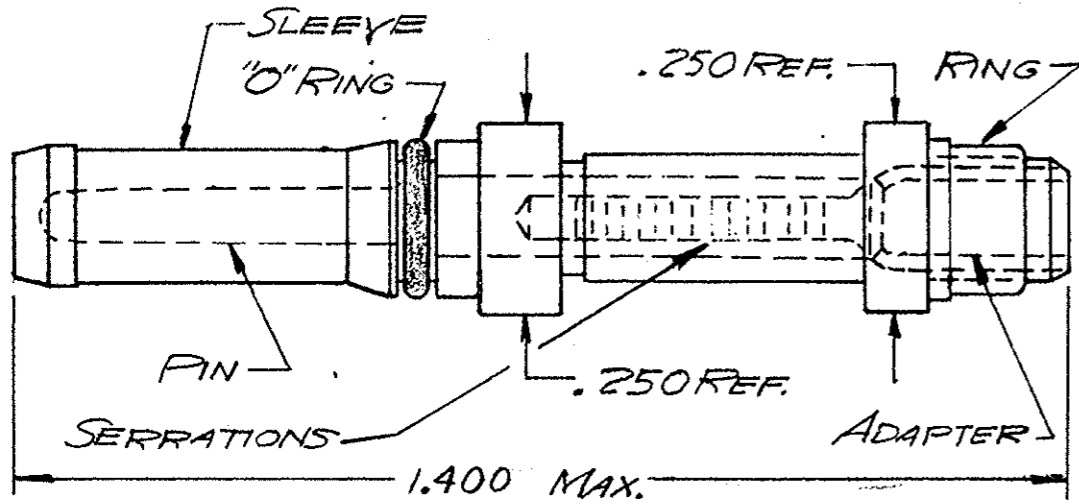


© 1961 BY AMP INCORPORATED. ALL RIGHTS RESERVED. AMP PRODUCTS COVERED BY PATENTS AND/OR PATENTS PENDING.

REVISIONS				
SYM	ZONE	DESCRIPTION	DATE	APPROVAL
B		REDRAWN; ADDED MIL SPECS	4/15/64	H.A.S.
C		REVISED PER PC-9644	5-26-88	JFM
D		REV/OG10-0031-99	3-4-99	ME/5B



1. .054-.094 INSULATION DIA

1	2-327834-1	SLEEVE	NYLON (MIL-M-20693) COLOR: <u>TRANSPARENT</u>
		ADAPTER	NATURAL
		"O" RING	RUBBER
		RING	COPPER (ASTM B 152) TIN PL (ASTM B 545) TYPE I COLOR: GREEN
		PIN	BRASS (ASTM B121) GOLD PL (MIL-G-45204) TYPE II.000050 MIN EXT THK OVER NICKEL PL (QQ-N-290).000030 MIN. EXT. THK
QTY REQD	PART OR IDENTIFYING NO.	NOMENCLATURE OR DESCRIPTION	MATERIAL AND FINISH

LIST OF MATERIALS OR PARTS LIST

UNLESS OTHERWISE SPECIFIED DIMENSIONS ARE IN INCHES TOLERANCES ON FRACTIONS ± 1/64 DECIMALS ± .008 ANGLES ± 5°	SIGNATURE	DATE	AMP TRADEMARK	AMP INCORPORATED HARRISBURG, PENNSYLVANIA
	DR X.H. Wolfe	4/15/64		
MATERIAL SEE TABLE	CHK H.A. Sattler	4/15/64	NAME SEALED HELICON DISCONNECT PIN	WIRE SIZE: 22-20
	DSGN ENGR			
HEAT TREAT H	APPD Bell	6/16/64	CODE IDENT NO 00779	SIZE B
FINISH SEE TABLE	OTHER APPD			
AMP INFO LOC G PRINT DIST 14C			SCALE 4-1	WT .046 ^{calc}
		ACTUAL		SHEET 1 OF 1